

THE BIG DUCK AND FISH COMPANY

Fine handcrafted porcelain tableware

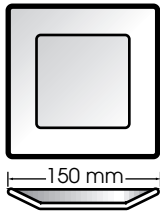
Square Plate

Code

Suggested Usage

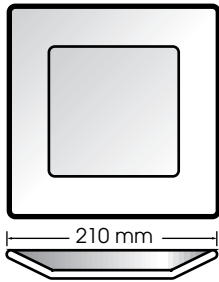
SP150

Saucer/Bread and butter



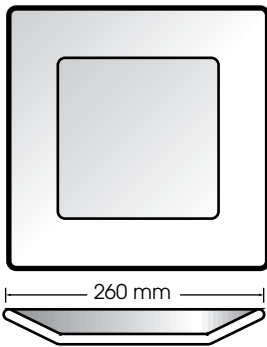
SP210

Entree/Side Plate



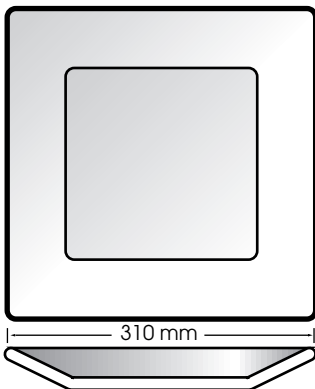
SP260

Dinner/Main Course



SP310

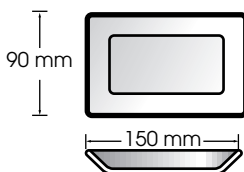
Large Dinner/Serving



Rectangular Dish

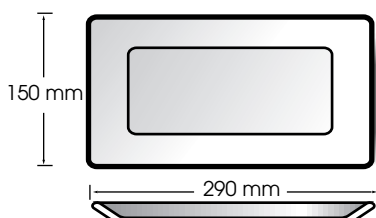
RD150

Butter Dish/Nuts/Olives



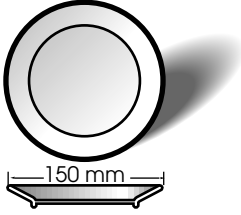
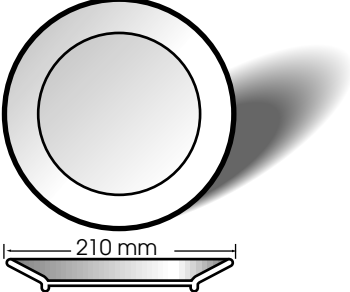
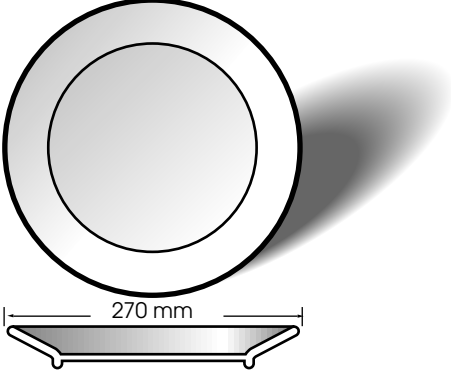
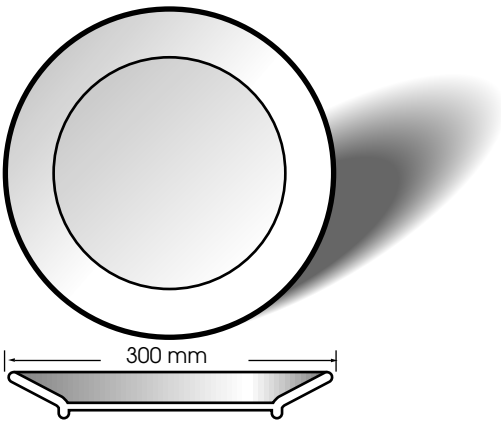
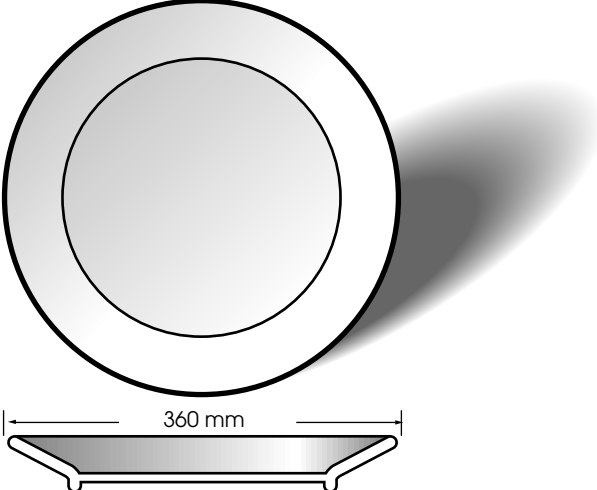
RD290

Cake/Sandwich/Asparagus Dish



THE BIG DUCK AND FISH COMPANY

Fine handcrafted porcelain tableware

Round Plate	Code	Suggested Usage
	RP150	Saucer/Bread and Butter
	RP210	Entree/Side Plate
	RP270	Dinner Plate (Domestic dishwasher size)
	RP300	Large Dinner Plate
	RP360	Serving Plate

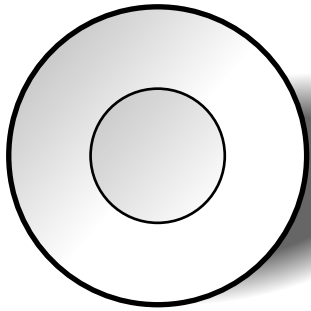
THE BIG DUCK AND FISH COMPANY

Fine handcrafted porcelain tableware

Shallow Bowl

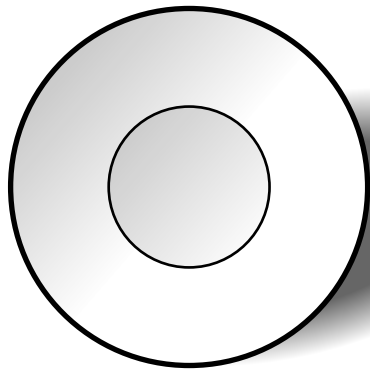
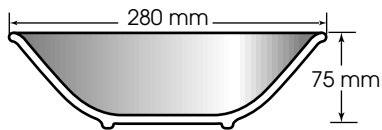
Code

Suggested Usage



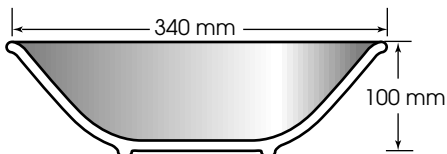
SB280

Medium Salad Bowl
(Microwave Oven Size)



SB340

Large Salad/Fruit Bowl

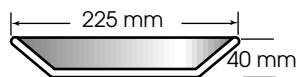


Oval Bowl



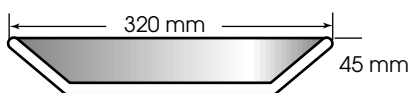
OB225

Individual Vegetable/Curry/Pasta



OB320

Serving Vegetable/Curry/Pasta



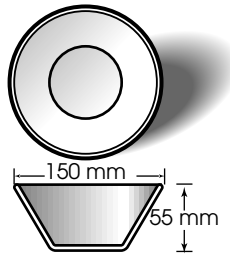
THE BIG DUCK AND FISH COMPANY

Fine handcrafted porcelain tableware

Deep Bowl

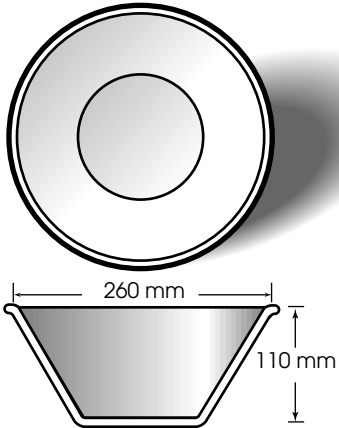
Code

Suggested Usage



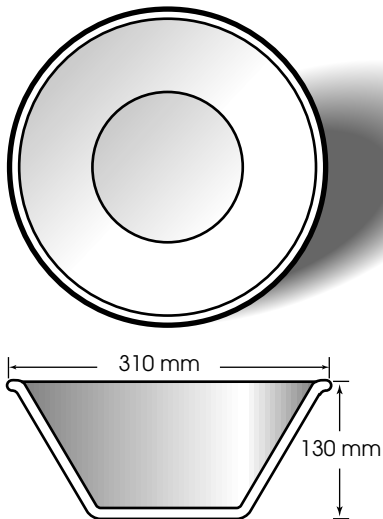
DB150

Small Round Dessert/Cereal Bowl



DB260

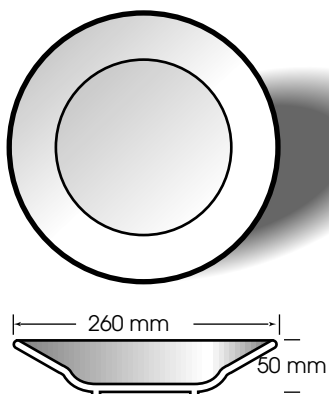
Medium Deep Salad Bowl



DB310

Large Deep Salad Bowl

Pasta Bowl



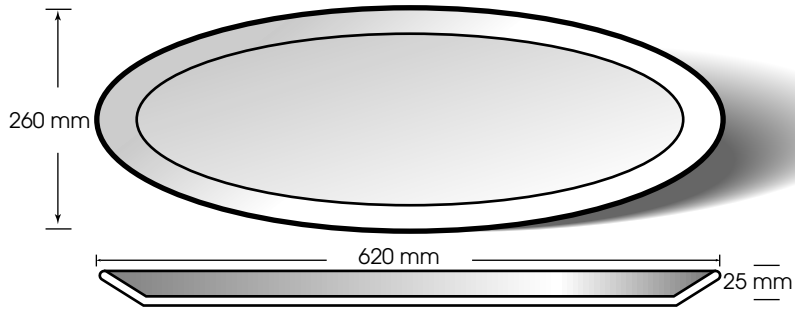
PB260

Traditional Soup/Pasta Bowl

THE BIG DUCK AND FISH COMPANY

Fine handcrafted porcelain tableware

Elongated Platter



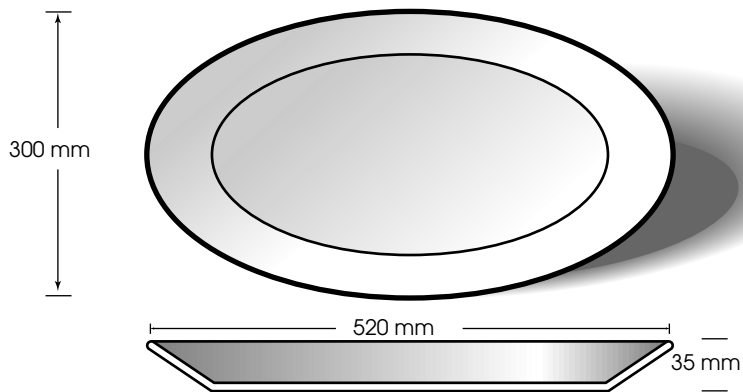
Code

EP620

Suggested Usage

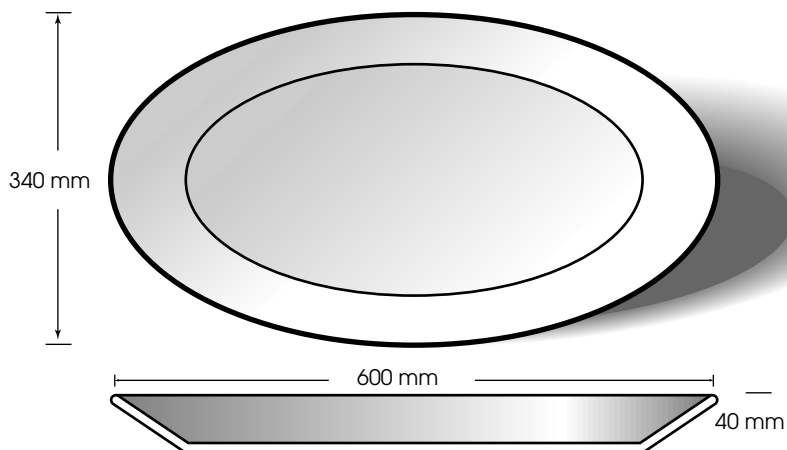
Fish Platter/Antipasto

Oval Platter



OP520

Traditional Roasting Platter



OP600

Large Catering Platter

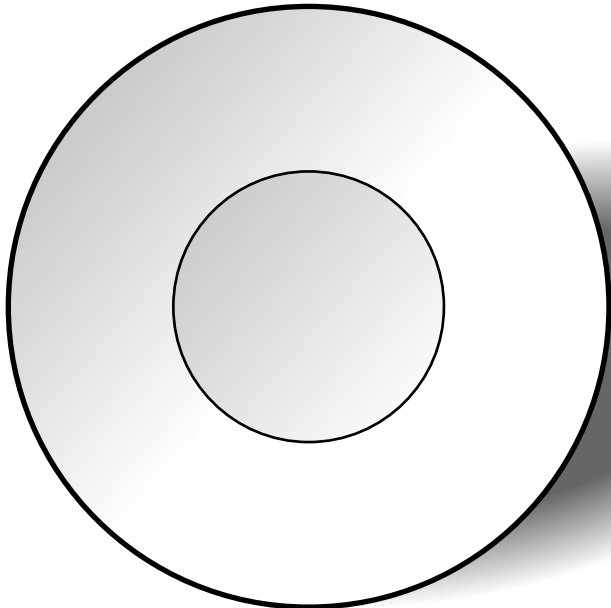
THE BIG DUCK AND FISH COMPANY

Fine handcrafted porcelain tableware

Very Large Display Bowl

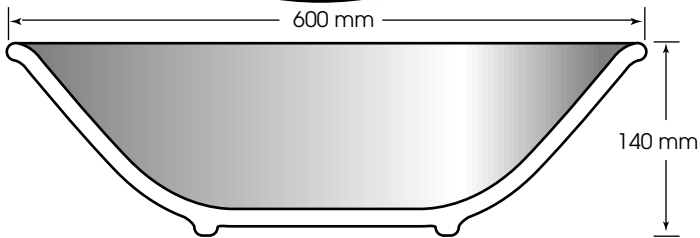
Code

Suggested Usage

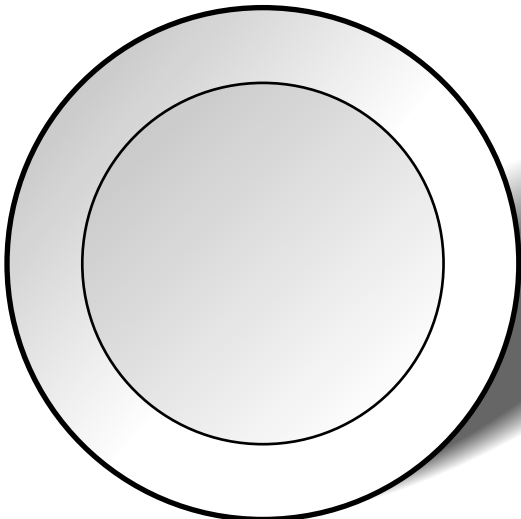


SB600

Very Large Display Bowl

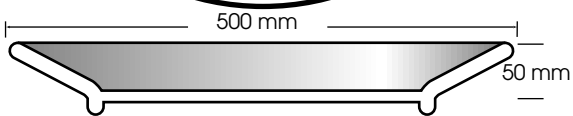


Round Platter

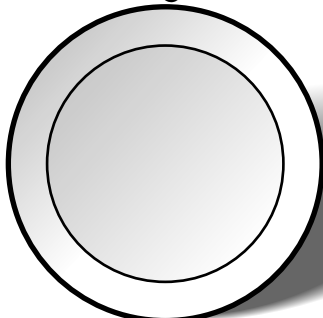


RP500
Platter

Large Serving Display

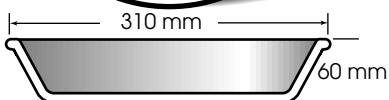


Baking Dish



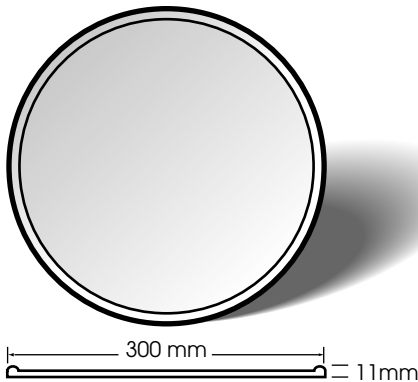
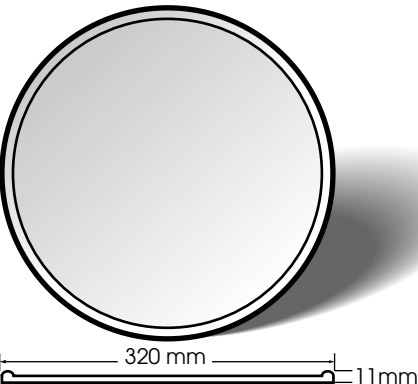
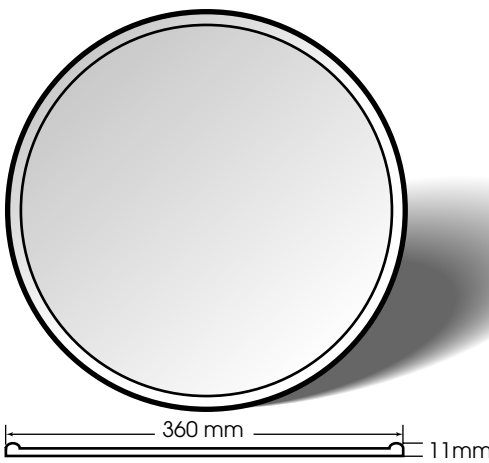
BD310

Baking/Roasting Dish

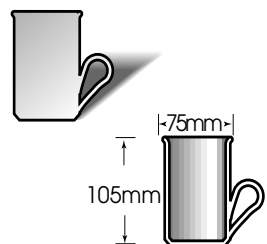


THE BIG DUCK AND FISH COMPANY

Fine handcrafted porcelain tableware

Cake Disc	Code	Suggested Usage
 <p>300 mm 11mm</p>	CD300	Flat disc for flans, cakes or tarts
 <p>320 mm 11mm</p>	CD 320	Suitable for standard 12" (30cm) cakes
 <p>360 mm 11mm</p>	CD360	For larger cakes or fruit displays

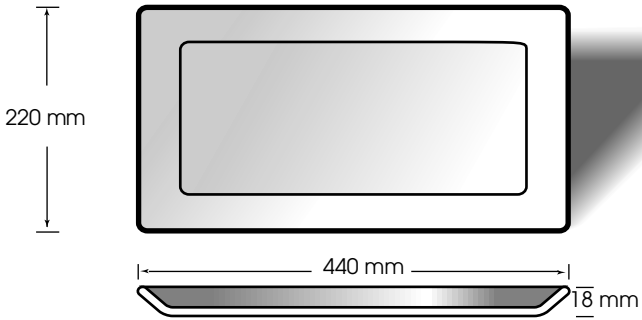
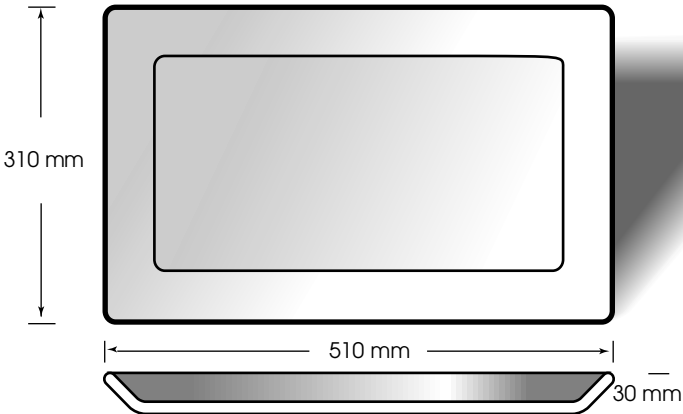
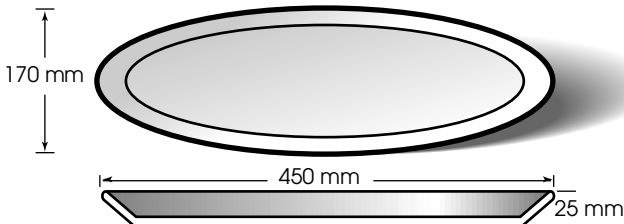
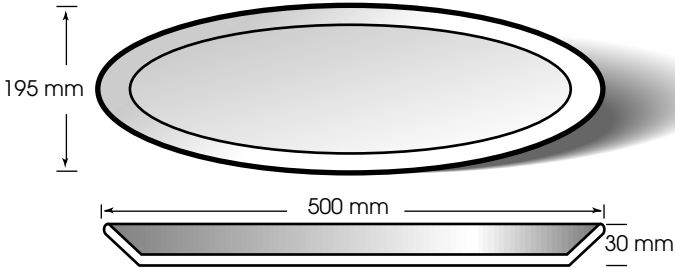
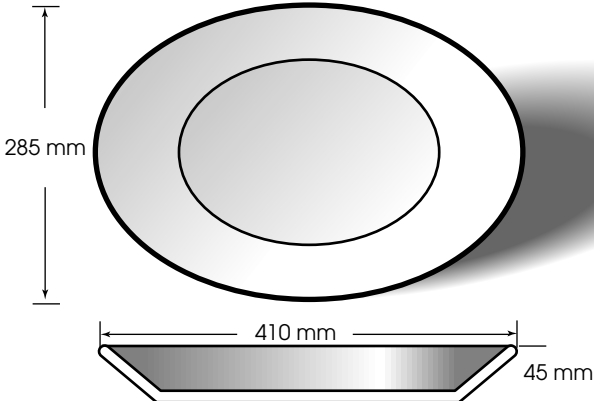
Cake Stand		
 <p>100mm</p>  <p>150mm</p>	CS100	Adds height for display of plates and discs
	CS150	Adds height for display of plates and discs

Coffee Mug		
 <p>105mm 75mm</p>	CM075	Medium Sized Mug

THE BIG DUCK AND FISH COMPANY

Fine handcrafted porcelain tableware

NEW RELEASES

		Code	Suggested Usage
		RD440	Antipasto Platter
		RD510	Antipasto Platter
		EP450	Individual Fish Platter
		EP500	Medium Fish Platter
		OP410	Medium Roast Serving Platter